

Motorized Curtain Track

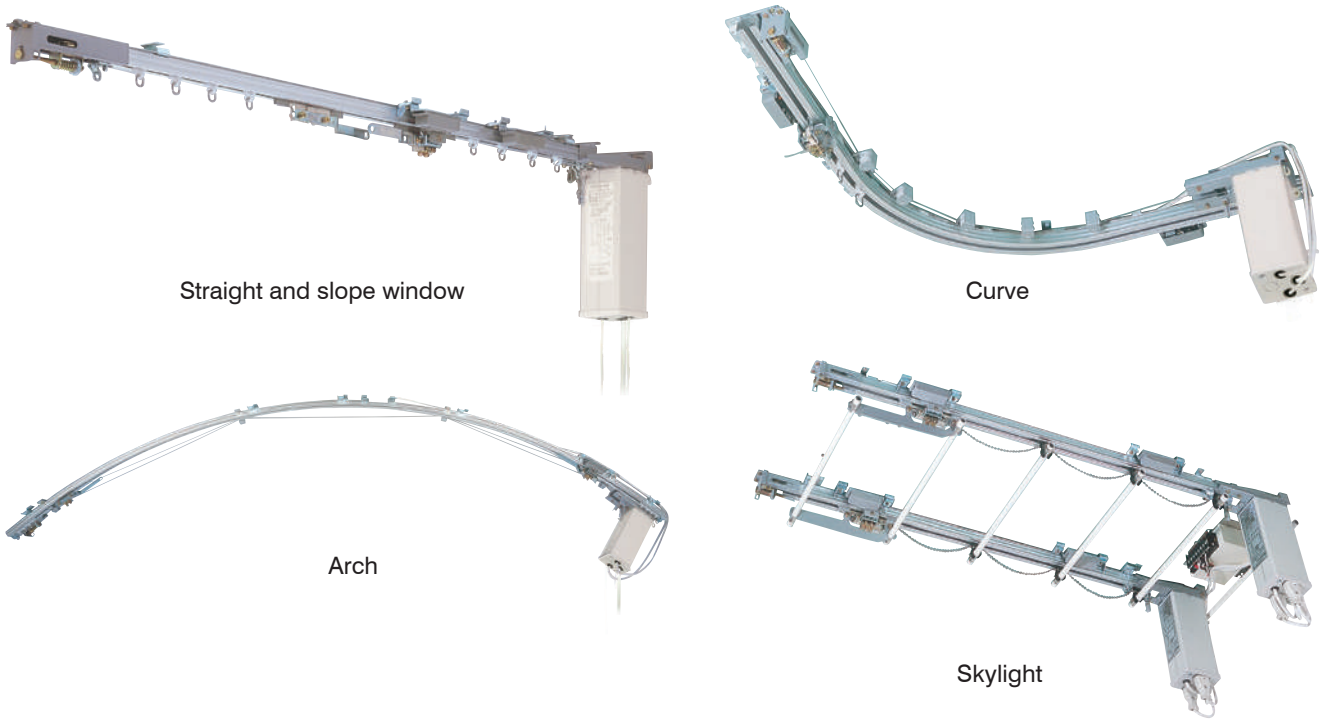
Powerful + Supertrac



- Motorized curtain rail suitable for medium weight draperies.
- Available for straight, curve, arch, skylight and

Powerful + Supertrac

Powerful + Supertrac's Unique Features



Available for straight, curve, arch, skylight and slope windows.

Exceptionally durable wire used for motor drive transmission.

Passed a 10,000 cycle open-close test.

Ready for draperies up to 20 m (787") long with 80 kg (176 lb) in weight.

For Skylight Maximum width 6 ft., length 12 ft., maximum weight 18 kg.

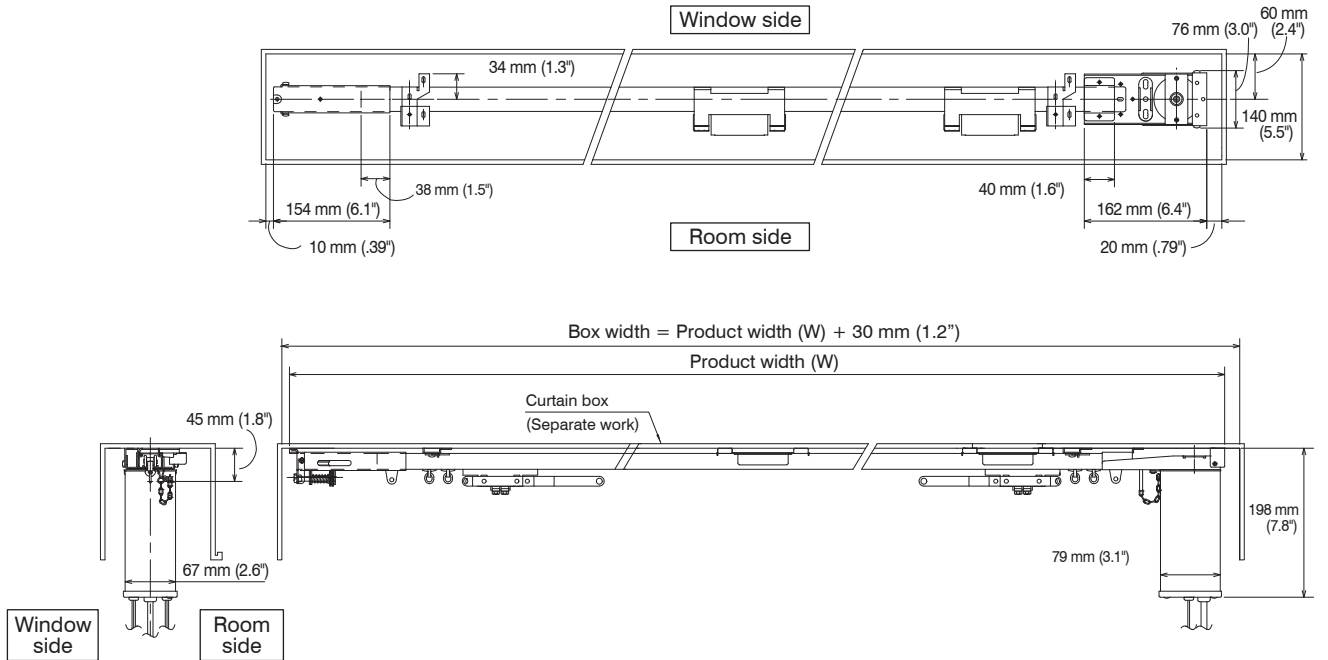
Motor Specifications

Item		Powerful 3L Series	
		Powerful 3L 220 V	
Rated power voltage	VAC	220	
Rated power frequency	Hz	50	60
Rated power current	A	0.4	0.35
Power consumption	W	80	75
Operating voltage	VAC	Same as power source	
Operating current	A		
Time rating	min.	5	
Overheat protection operating temperature	°C	120±10	
Internal electric circuit	Built-in Inter rock circuit	Built-in Inter rock circuit	
Operating switch spec.	Locker switch	Locker switch	
Weight of main unit	kg (lb)	1.8 (4.0)	
Operating time	sec./m	5	4
Maximum curtain weight	kg (lb)	80 (176)	
Maximum rail length	m (in)	20 (787)	

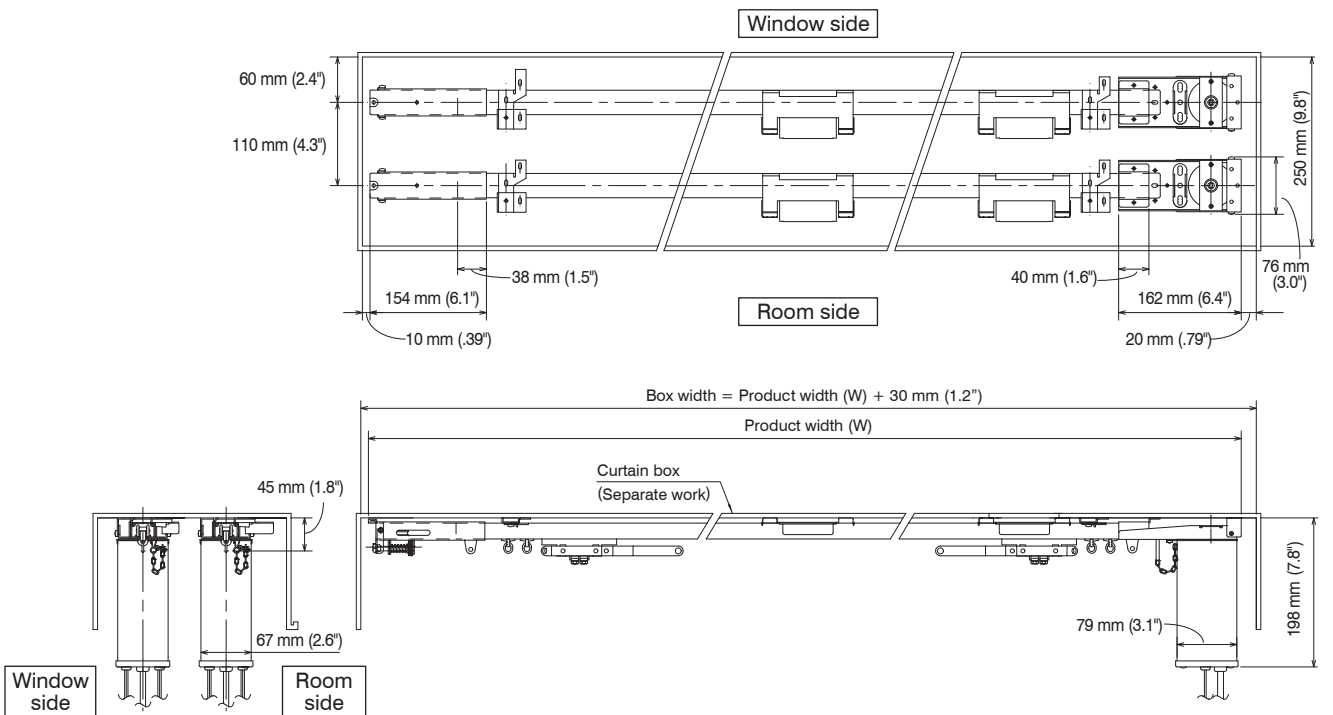
*Maximum curtain weight is for a two-way draw.

Installation Dimensions and Diagram

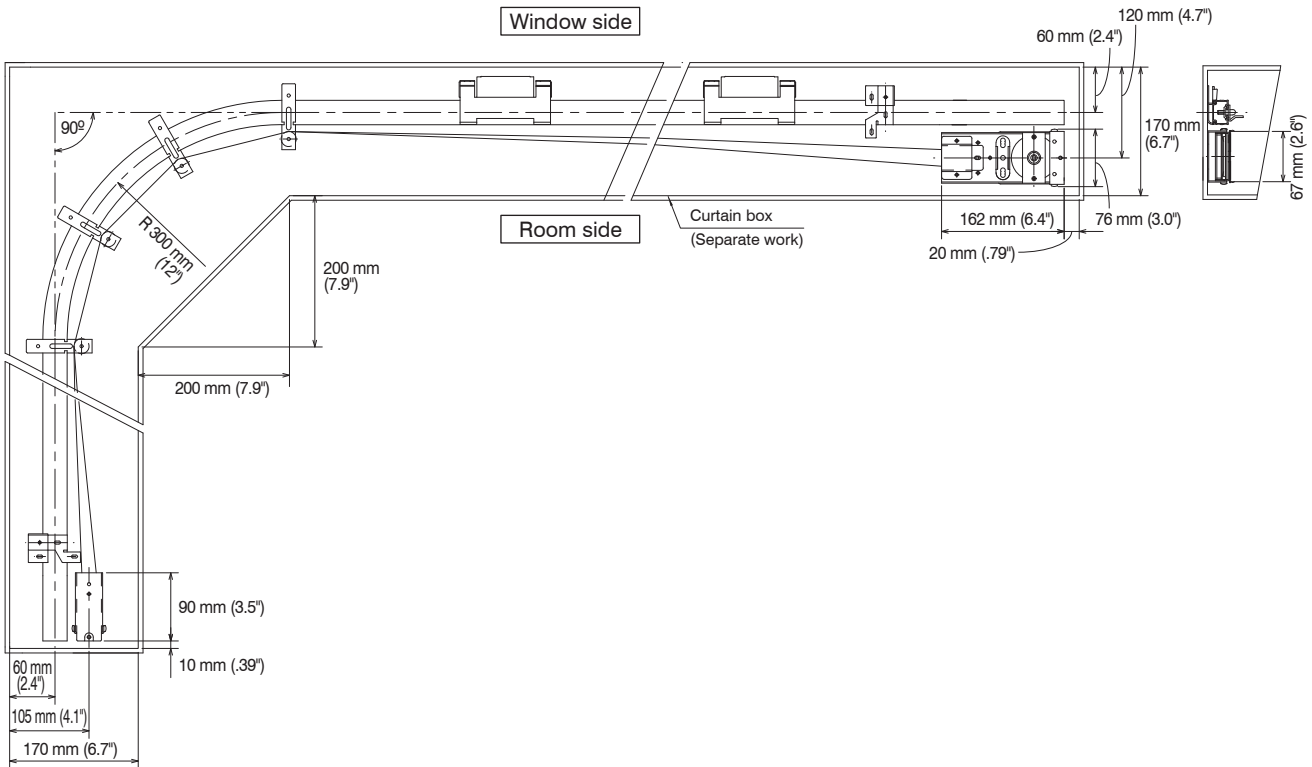
Straight: ceiling single attachment
(Master roller)



Straight: ceiling double attachment
(Master Roller)



Curve: ceiling single attachment
(Master roller)



Skylight, Slope skylight: One-way draw

